

STANDARD AIR-COOLED

3-30 Ton Cooling Capacity

For use with Water, Water Soluble Fluids or Oil

STANDARD FEATURES

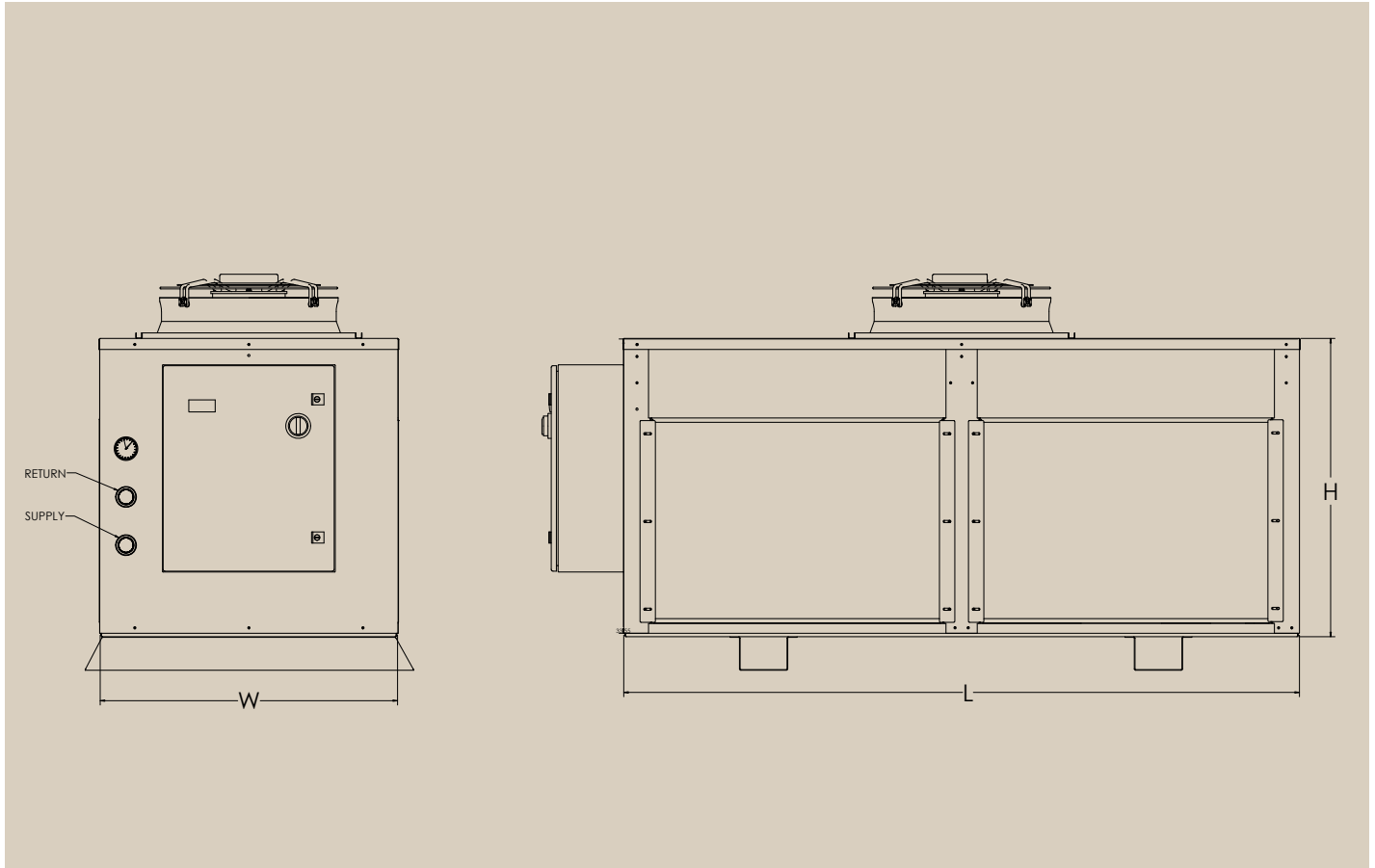
- Single Air-Cooled Refrigeration Circuit
- Micro-channel Condenser
- Scroll Compressor
- Non-fused Disconnect
- Stainless Steel Brazed Plate Evaporator
- Hot Gas Evaporator Freeze Protection
- Non-Ferrous Piping
- Vertical Air Discharge
- Microprocessor-based Controller
- Textured Powder Coated Cabinet
- NEMA12 Electrical Enclosure
- Indoor Rated
- UL1995 Listed
- 40°F to 120°F Operating Ambient
- Cleanable Air Filter
- Interchangeable Filter Panels (3-10 ton only)
- 18 Month Parts & Labor Warranty
- 24/7 Customer Support



OPTIONAL FEATURES

- Insulated Piping
- Remote Control Panel
- Upgraded Controller
- Control Interface
- UL508a Model
- Voltage Options
- Ambient Tracking / Dewpoint Comp.
- Digital Scroll Compressor
- Hot Gas Bypass
- Remote Condenser
- Water-Cooled Condenser
- Fluid Filter
- Casters
- Salt Water Packages
- Pump





Model	Electrical	Width (in.)	Length (in.)	Height (in.)	Height (in.) with pump or cleanable heat exchanger	Supply/Return (in.)	Nominal Ton/HP	MCA (A)	MOP (A)	BTU/hr @ 45F LWT @ 100°F Ambient	BTU/hr @ 65F LWT @ 100F Ambient
JTS-U-E-3SIA	460/60/3	26	46	37	62	1.0	3	10.3	15	32,700	41,800
	230/60/3					1.0	3	21.0	30	32,700	41,800
JTS-U-E-5SIA	460/60/3	26	46	37	62	1.0	5	14.9	20	58,000	72,000
	230/60/3					1.0	5	28.2	45	58,000	72,000
JTS-U-E-7SIA	460/60/3	34	77	38	65	1.5	7.5	19.8	30	85,300	109,000
	230/60/3					1.5	7.5	41.2	60	85,300	109,000
JTS-U-E-10SIA	460/60/3	34	77	38	65	1.5	10	31.1	50	116,000	149,000
	230/60/3					1.5	10	60.7	100	116,000	149,000
JTS-U-E-15SIA	460/60/3	34	82	53	77	2	15	39.1	60	173,900	219,000
	230/60/3					2	15	81.7	125	173,900	219,000
JTS-U-E-20SIA	460/60/3	34	82	53	77	2	20	57.8	70	232,000	284,000
	230/60/3					2	20	100.9	125	232,000	284,000
JTS-U-E-30SIA	460/60/3	42	106	54	75	2	30	75.2	100	347,800	438,000
	230/60/3					2	30	158.2	200	347,800	438,000

Note: For additional options or capacities over 30 tons, please consult factory.